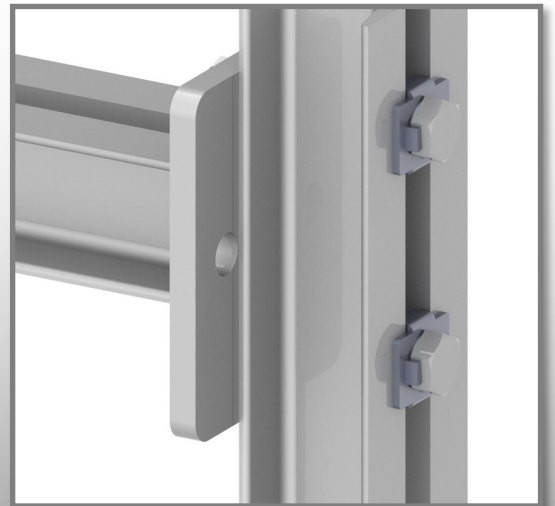


## **MP-FLEX-060**

### APPLICATION EXAMPLES



# MP-FLEX-060

## Application Examples



MP-FLEX-060		A 01	
Quantity			
Brackets	MP-FLEX-060-K02	U60	2
Girder	MP-FLEX-060-T01	U60	1
Screw connections	MP-FLEX-060-X01	M16	4
Building connections	Concrete	Anchors M12	8

MP-FLEX-060		A 02	
Quantity			
Brackets	MP-FLEX-060-K03/K04/K05/K06	U60	2
Girder	MP-FLEX-060-T01	U60	1
Screw connections	MP-FLEX-060-X01	M16	4
Building connections	Steel beam width 80-300 mm	Beam clamps M12	8

MP-FLEX-060		A 03	
Quantity			
Brackets	MP-FLEX-060-K02	U60	2
Girder	MP-FLEX-060-T01	U60	1
Screw connections	MP-FLEX-060-X01	M16	4
Building connections	Concrete	Anchors M12	8

MP-FLEX-060		A 04	
Quantity			
Brackets	MP-FLEX-060-K03/K04/K05/K06	U60	2
Girder	MP-FLEX-060-T01	U60	1
Screw connections	MP-FLEX-060-X01	M16	4
Building connections	Steel beam width 80-300 mm	Beam clamps M12	8

MP-FLEX-060		A 05	
Quantity			
Bracket	MP-FLEX-060-K02	U60	1
Bracket	MP-FLEX-060-K01	U60	1
Screw connections	MP-FLEX-060-X01	M16	2
Building connection	Concrete	Anchors M12	4

MP-FLEX-060		A 06	
Quantity			
Bracket	MP-FLEX-060-K03/K04/K05/K06	U60	1
Bracket	MP-FLEX-060-K01	U60	1
Screw connections	MP-FLEX-060-X01	M16	2
Building connection	Steel beam width 80-300 mm	Beam clamps M12	4

**MP-FLEX-060**

**Application Examples**



MP-FLEX-060		A 07	
Quantity			
Bracket	MP-FLEX-060-K02	U60	1
Bracket	MP-FLEX-060-K01	U60	1
Screw connections	MP-FLEX-060-X01	M16	2
Building connection	Concrete	Anchors M12	4

MP-FLEX-060		A 08	
Quantity			
Bracket	MP-FLEX-060-K03/K04/K05/K06	U60	1
Bracket	MP-FLEX-060-K01	U60	1
Screw connections	MP-FLEX-060-X01	M16	2
Building connection	Steel beam width 80-300 mm	Beam clamps M12	4

MP-FLEX-060		A 09	
Quantity			
Bracket	MP-FLEX-060-K02	U60	1
Brackets	MP-FLEX-060-K01	U60	2
Screw connections	MP-FLEX-060-X02	M16	2
Building connection	Concrete	Anchors M12	4

MP-FLEX-060		A 10	
Quantity			
Bracket	MP-FLEX-060-K03/K04/K05/K06	U60	1
Brackets	MP-FLEX-060-K01	U60	2
Screw connections	MP-FLEX-060-X02	M16	2
Building connection	Steel beam width 80-300 mm	Beam clamps M12	4

MP-FLEX-060		A 11	
Quantity			
Bracket	MP-FLEX-060-K02	U60	1
Brackets	MP-FLEX-060-K01	U60	2
Screw connections	MP-FLEX-060-X02	M16	2
Building connection	Concrete	Anchors M12	4

MP-FLEX-060		A 12	
Quantity			
Bracket	MP-FLEX-060-K03/K04/K05/K06	U60	1
Brackets	MP-FLEX-060-K01	U60	2
Screw connections	MP-FLEX-060-X02	M16	2
Building connection	Steel beam width 80-300 mm	Beam clamps M12	4

**MP-FLEX-060****Application  
Examples****MP-FLEX-060****A 13**

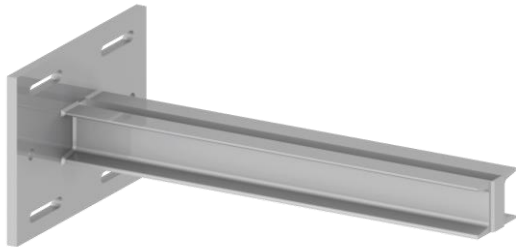
Quantity

Bracket	MP-FLEX-060-K01	U60	1
Building connection	Concrete	Anchors M12	4

**MP-FLEX-060****A 14**

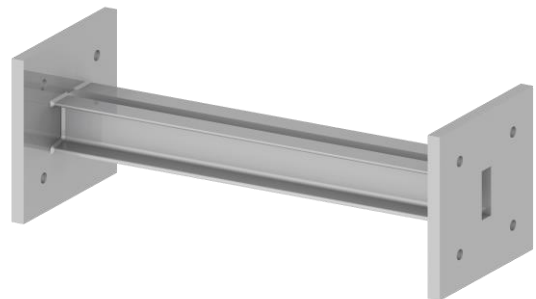
Quantity

Bracket	MP-FLEX-060-K02	U60	1
Building connection	Concrete	Anchors M12	4

**MP-FLEX-060****A 15**

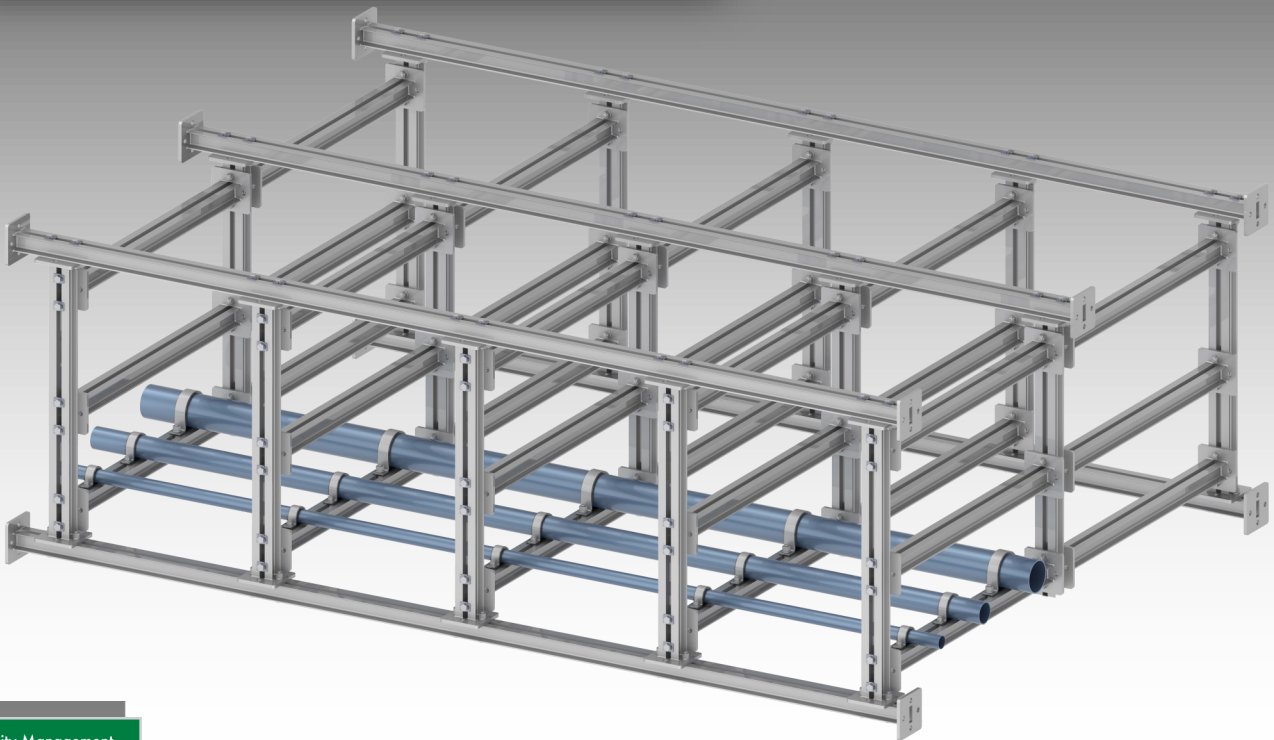
Quantity

Bracket	MP-FLEX-060-K03/K04	U60	1
Building connection	Steel beam width 80-300 mm	Beam clamps M12	4

**MP-FLEX-060****A 16**

Quantity

Girder	MP-FLEX-060-T02	U60	1
Building connection	Concrete	Anchors M12	8



[www.mpss-gmbh.com](http://www.mpss-gmbh.com)

Edition 06/2024 © MPSS GmbH

