



## MP-FLEX-100

### APPLICATION EXAMPLES



**MP-FLEX-100****Application Examples****MP-FLEX-100****A 01**

Quantity

Brackets	MP-FLEX-100-K03	QRO 100x8	2
Girder	MP-FLEX-100-T01	HEB 100	1
Screw connections	MP-FLEX-100-X01-0020	M12	8
Endcaps	MP-FLEX-100-A01	PA6	2
Building connections	Concrete	Anchor M16	8

**MP-FLEX-100****A 02**

Quantity

Brackets	MP-FLEX-100-K04	QRO 100x8	2
Girder	MP-FLEX-100-T01	HEB 100	1
Screw connections	MP-FLEX-100-X01-0020	M12	8
Endcaps	MP-FLEX-100-A01	PA6	2
Building connections	Concrete	Anchor M20	8

**MP-FLEX-100****A 03**

Quantity

Brackets	MP-FLEX-100-K11	QRO 100x8	2
Girder	MP-FLEX-100-T01	HEB 100	1
Screw connections	MP-FLEX-100-X01-0020	M12	8
Endcaps	MP-FLEX-100-A01	PA6	2
Building connections	Steel beam width 70-180 mm	Beam clamps M16	8

**MP-FLEX-100****A 04**

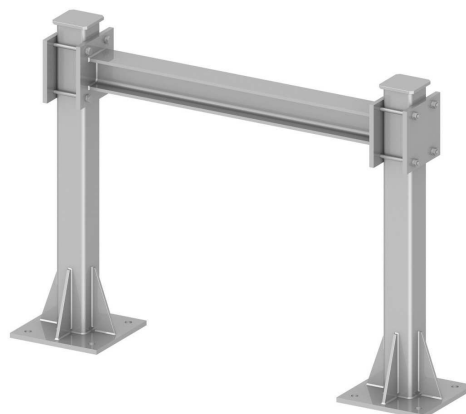
Quantity

Brackets	MP-FLEX-100-K12	QRO 100x8	2
Girder	MP-FLEX-100-T01	HEB 100	1
Screw connections	MP-FLEX-100-X01-0020	M12	8
Endcaps	MP-FLEX-100-A01	PA6	2
Building connections	Steel beam width 180-300 mm	Beam clamps M16	8

**MP-FLEX-100****A 05**

Quantity

Brackets	MP-FLEX-100-K01	QRO 100x8	2
Girder	MP-FLEX-100-T11	HEB 100	1
Screw connections	MP-FLEX-100-P03	t = 15 mm	2
Endcaps	MP-FLEX-100-X01-0130	M12	8
Building connections	Concrete	Anchor M16	8

**MP-FLEX-100****A 06**

Quantity

Brackets	MP-FLEX-100-K02	QRO 100x8	2
Girder	MP-FLEX-100-T11	HEB 100	1
Screw connections	MP-FLEX-100-P03	t = 15 mm	2
Endcaps	MP-FLEX-100-X01-0130	M12	8
Building connections	Concrete	Anchor M20	8

**MP-FLEX-100****Application Examples****MP-FLEX-100****A 07**

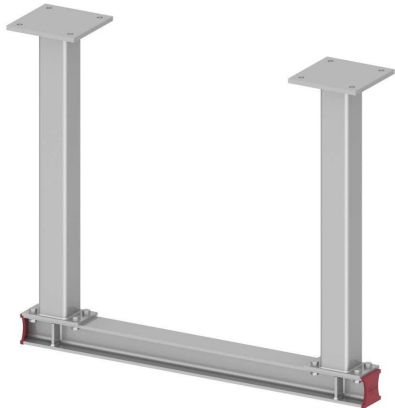
Quantity

Brackets	MP-FLEX-100-K09	QRO 100x8	2
Girder	MP-FLEX-100-T11	HEB 100	1
Plates	MP-FLEX-100-P03	t = 15 mm	2
Screw connections	MP-FLEX-100-X01-0130	M12	8
Building connections	Steel beam width 70-180 mm	Beam clamps M16	8

**MP-FLEX-100****A 08**

Quantity

Brackets	MP-FLEX-100-K10	QRO 100x8	2
Girder	MP-FLEX-100-T11	HEB 100	1
Plates	MP-FLEX-100-P03	t = 15 mm	2
Screw connections	MP-FLEX-100-X01-0130	M12	8
Building connections	Steel beam width 180-300 mm	Beam clamps M16	8

**MP-FLEX-100****A 09**

Quantity

Brackets	MP-FLEX-100-K03	QRO 100x8	2
Girder	MP-FLEX-100-T01	HEB 100	1
Screw connections	MP-FLEX-100-X01-0020	M12	8
Endcaps	MP-FLEX-100-A01	PA6	2
Building connections	Concrete	Anchor M16	8

**MP-FLEX-100****A 10**

Quantity

Brackets	MP-FLEX-100-K04	QRO 100x8	2
Girder	MP-FLEX-100-T01	HEB 100	1
Screw connections	MP-FLEX-100-X01-0020	M12	8
Endcaps	MP-FLEX-100-A01	PA6	2
Building connections	Concrete	Anchor M20	8

**MP-FLEX-100****A 11**

Quantity

Brackets	MP-FLEX-100-K11	QRO 100x8	2
Girder	MP-FLEX-100-T01	HEB 100	1
Screw connections	MP-FLEX-100-X01-0020	M12	8
Endcaps	MP-FLEX-100-A01	PA6	2
Building connections	Steel beam width 70-180 mm	Beam clamps M16	8

**MP-FLEX-100****A 12**

Quantity

Brackets	MP-FLEX-100-K12	QRO 100x8	2
Girder	MP-FLEX-100-T01	HEB 100	1
Screw connections	MP-FLEX-100-X01-0020	M12	8
Endcaps	MP-FLEX-100-A01	PA6	2
Building connections	Steel beam width 180-300 mm	Beam clamps M16	8

**MP-FLEX-100****Application Examples****MP-FLEX-100****A 13**

Quantity

Brackets	MP-FLEX-100-K01	QRO 100x8	2
Girder	MP-FLEX-100-T11	HEB 100	1
Plates	MP-FLEX-100-P03	t = 15 mm	2
Screw connections	MP-FLEX-100-X01-0130	M12	8
Building connections	Concrete	Anchor M16	8

**MP-FLEX-100****A 14**

Quantity

Brackets	MP-FLEX-100-K02	QRO 100x8	2
Girder	MP-FLEX-100-T11	HEB 100	1
Plates	MP-FLEX-100-P03	t = 15 mm	2
Screw connections	MP-FLEX-100-X01-0130	M12	8
Building connections	Concrete	Anchor M20	8

**MP-FLEX-100****A 15**

Quantity

Brackets	MP-FLEX-100-K09	QRO 100x8	2
Girder	MP-FLEX-100-T11	HEB 100	1
Plates	MP-FLEX-100-P03	t = 15 mm	2
Screw connections	MP-FLEX-100-X01-0130	M12	8
Building connections	Steel beam width 70-180 mm	Beam clamps M16	8

**MP-FLEX-100****A 16**

Quantity

Brackets	MP-FLEX-100-K10	QRO 100x8	2
Girder	MP-FLEX-100-T11	HEB 100	1
Plates	MP-FLEX-100-P03	t = 15 mm	2
Screw connections	MP-FLEX-100-X01-0130	M12	8
Building connections	Steel beam width 180-300 mm	Beam clamps M16	8

**MP-FLEX-100****A 17**

Quantity

Bracket	MP-FLEX-100-K03	QRO 100x8	1
Girder	MP-FLEX-100-T02	HEB 100	1
Screw connections	MP-FLEX-100-X01-0020	M12	4
Endcaps	MP-FLEX-100-A01	PA6	2
Building connection	Concrete	Anchor M16	4

**MP-FLEX-100****A 18**

Quantity

Bracket	MP-FLEX-100-K04	QRO 100x8	1
Girder	MP-FLEX-100-T02	HEB 100	1
Screw connections	MP-FLEX-100-X01-0020	M12	4
Endcaps	MP-FLEX-100-A01	PA6	2
Building connection	Concrete	Anchor M20	4

**MP-FLEX-100****Application Examples****MP-FLEX-100****A 19**

Quantity

Bracket	MP-FLEX-100-K11	QRO 100x8	1
Girder	MP-FLEX-100-T02	HEB 100	1
Screw connections	MP-FLEX-100-X01-0020	M12	4
Endcaps	MP-FLEX-100-A01	PA6	2
Building connection	Steel beam width 70-180 mm	Beam clamps M16	4

**MP-FLEX-100****A 20**

Quantity

Bracket	MP-FLEX-100-K12	QRO 100x8	1
Girder	MP-FLEX-100-T02	HEB 100	1
Screw connections	MP-FLEX-100-X01-0020	M12	4
Endcaps	MP-FLEX-100-A01	PA6	2
Building connection	Steel beam width 180-300 mm	Beam clamps M16	4

**MP-FLEX-100****A 21**

Quantity

Bracket	MP-FLEX-100-K01	QRO 100x8	1
Bracket	MP-FLEX-100-K17 + P03	HEB 100	1
Screw connections	MP-FLEX-100-X01-0130	M12	4
Endcap	MP-FLEX-100-A01	PA6	1
Building connection	Concrete	Anchor M16	4

**MP-FLEX-100****A 22**

Quantity

Bracket	MP-FLEX-100-K02	QRO 100x8	1
Bracket	MP-FLEX-100-K17 + P03	HEB 100	1
Screw connections	MP-FLEX-100-X01-0130	M12	4
Endcap	MP-FLEX-100-A01	PA6	1
Building connection	Concrete	Anchor M20	4

**MP-FLEX-100****A 23**

Quantity

Bracket	MP-FLEX-100-K09	QRO 100x8	1
Bracket	MP-FLEX-100-K17 + P03	HEB 100	1
Screw connections	MP-FLEX-100-X01-0130	M12	4
Endcap	MP-FLEX-100-A01	PA6	1
Building connection	Steel beam width 70-180 mm	Beam clamps M16	4

**MP-FLEX-100****A 24**

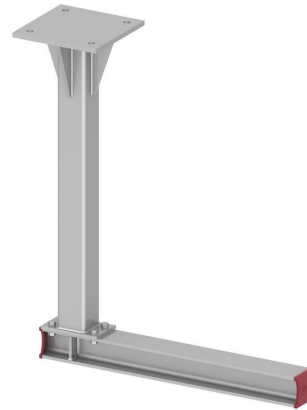
Quantity

Bracket	MP-FLEX-100-K10	QRO 100x8	1
Bracket	MP-FLEX-100-K17 + P03	HEB 100	1
Screw connections	MP-FLEX-100-X01-0130	M12	4
Endcap	MP-FLEX-100-A01	PA6	1
Building connection	Steel beam width 180-300 mm	Beam clamps M16	4

**MP-FLEX-100****Application Examples****MP-FLEX-100****A 25**

Quantity

Bracket	MP-FLEX-100-K03	QRO 100x8	1
Girder	MP-FLEX-100-T02	HEB 100	1
Screw connections	MP-FLEX-100-X01-0020	M12	4
Endcaps	MP-FLEX-100-A01	PA6	2
Building connection	Concrete	Anchor M16	4

**MP-FLEX-100****A 26**

Quantity

Bracket	MP-FLEX-100-K04	QRO 100x8	1
Girder	MP-FLEX-100-T02	HEB 100	1
Screw connections	MP-FLEX-100-X01-0020	M12	4
Endcaps	MP-FLEX-100-A01	PA6	2
Building connection	Concrete	Anchor M20	4

**MP-FLEX-100****A 27**

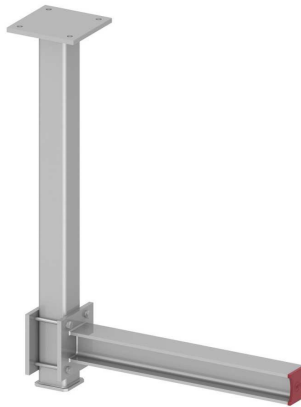
Quantity

Bracket	MP-FLEX-100-K11	QRO 100x8	1
Girder	MP-FLEX-100-T02	HEB 100	1
Screw connections	MP-FLEX-100-X01-0020	M12	4
Endcaps	MP-FLEX-100-A01	PA6	2
Building connection	Steel beam width 70-180 mm	Beam clamps M16	4

**MP-FLEX-100****A 28**

Quantity

Bracket	MP-FLEX-100-K12	QRO 100x8	1
Girder	MP-FLEX-100-T02	HEB 100	1
Screw connections	MP-FLEX-100-X01-0020	M12	4
Endcaps	MP-FLEX-100-A01	PA6	2
Building connection	Steel beam width 180-300 mm	Beam clamps M16	4

**MP-FLEX-100****A 29**

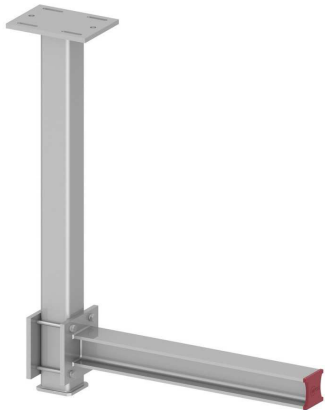
Quantity

Bracket	MP-FLEX-100-K01	QRO 100x8	1
Bracket	MP-FLEX-100-K17 + P03	HEB 100	1
Screw connections	MP-FLEX-100-X01-0130	M12	4
Endcap	MP-FLEX-100-A01	PA6	1
Building connection	Concrete	Anchor M16	4

**MP-FLEX-100****A 30**

Quantity

Bracket	MP-FLEX-100-K02	QRO 100x8	1
Bracket	MP-FLEX-100-K17 + P03	HEB 100	1
Screw connections	MP-FLEX-100-X01-0130	M12	4
Endcap	MP-FLEX-100-A01	PA6	1
Building connection	Concrete	Anchor M20	4

**MP-FLEX-100****Application Examples****MP-FLEX-100****A 31**

Quantity

Bracket	MP-FLEX-100-K09	QRO 100x8	1
Bracket	MP-FLEX-100-K17 + P03	HEB 100	1
Screw connections	MP-FLEX-100-X01-0130	M12	4
Endcap	MP-FLEX-100-A01	PA6	1
Building connection	Steel beam width 70-180 mm	Beam clamps M16	4

**MP-FLEX-100****A 32**

Quantity

Bracket	MP-FLEX-100-K10	QRO 100x8	1
Bracket	MP-FLEX-100-K17 + P03	HEB 100	1
Screw connections	MP-FLEX-100-X01-0130	M12	4
Endcap	MP-FLEX-100-A01	PA6	1
Building connection	Steel beam width 180-300 mm	Beam clamps M16	4

**MP-FLEX-100****A 33**

Quantity

Bracket	MP-FLEX-100-K03	QRO 100x8	1
Girder	MP-FLEX-100-T03	HEB 100	1
Screw connections	MP-FLEX-100-X01-0020	M12	4
Endcaps	MP-FLEX-100-A01	PA6	2
Building connection	Concrete	Anchor M16	4

**MP-FLEX-100****A 34**

Quantity

Bracket	MP-FLEX-100-K04	QRO 100x8	1
Girder	MP-FLEX-100-T03	HEB 100	1
Screw connections	MP-FLEX-100-X01-0020	M12	4
Endcaps	MP-FLEX-100-A01	PA6	2
Building connection	Concrete	Anchor M20	4

**MP-FLEX-100****A 35**

Quantity

Bracket	MP-FLEX-100-K11	QRO 100x8	1
Girder	MP-FLEX-100-T03	HEB 100	1
Screw connections	MP-FLEX-100-X01-0020	M12	4
Endcaps	MP-FLEX-100-A01	PA6	2
Building connection	Steel beam width 70-180 mm	Beam clamps M16	4

**MP-FLEX-100****A 36**

Quantity

Bracket	MP-FLEX-100-K12	QRO 100x8	1
Girder	MP-FLEX-100-T03	HEB 100	1
Screw connections	MP-FLEX-100-X01-0020	M12	4
Endcaps	MP-FLEX-100-A01	PA6	2
Building connection	Steel beam width 180-300 mm	Beam clamps M16	4

**MP-FLEX-100****Application Examples****MP-FLEX-100****A 37**

Quantity

Bracket	MP-FLEX-100-K01	QRO 100x8	1
Brackets	MP-FLEX-100-K17	HEB 100	2
Screw connections	MP-FLEX-100-X01-0130	M12	4
Endcaps	MP-FLEX-100-A01	PA6	2
Building connection	Concrete	Anchor M16	4

**MP-FLEX-100****A 38**

Quantity

Bracket	MP-FLEX-100-K02	QRO 100x8	1
Brackets	MP-FLEX-100-K17	HEB 100	2
Screw connections	MP-FLEX-100-X01-0130	M12	4
Endcaps	MP-FLEX-100-A01	PA6	2
Building connection	Concrete	Anchor M20	4

**MP-FLEX-100****A 39**

Quantity

Bracket	MP-FLEX-100-K09	QRO 100x8	1
Brackets	MP-FLEX-100-K17	HEB 100	2
Screw connections	MP-FLEX-100-X01-0130	M12	4
Endcaps	MP-FLEX-100-A01	PA6	2
Building connection	Steel beam width 70-180 mm	Beam clamps M16	4

**MP-FLEX-100****A 40**

Quantity

Bracket	MP-FLEX-100-K10	QRO 100x8	1
Brackets	MP-FLEX-100-K17	HEB 100	2
Screw connections	MP-FLEX-100-X01-0130	M12	4
Endcaps	MP-FLEX-100-A01	PA6	2
Building connection	Steel beam width 180-300 mm	Beam clamps M16	4

**MP-FLEX-100****A 41**

Quantity

Bracket	MP-FLEX-100-K03	QRO 100x8	1
Girder	MP-FLEX-100-T03	HEB 100	1
Screw connections	MP-FLEX-100-X01-0020	M12	4
Endcaps	MP-FLEX-100-A01	PA6	2
Building connection	Concrete	Anchor M16	4

**MP-FLEX-100****A 42**

Quantity

Bracket	MP-FLEX-100-K04	QRO 100x8	1
Girder	MP-FLEX-100-T03	HEB 100	1
Screw connections	MP-FLEX-100-X01-0020	M12	4
Endcaps	MP-FLEX-100-A01	PA6	2
Building connection	Concrete	Anchor M20	4



**MP-FLEX-100****Application Examples****MP-FLEX-100****A 43**

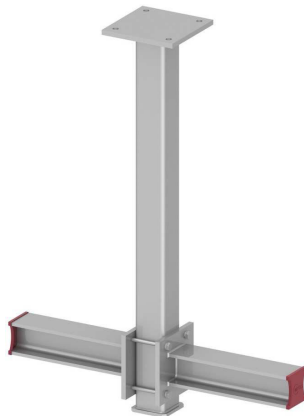
Quantity

Bracket	MP-FLEX-100-K11	QRO 100x8	1
Girder	MP-FLEX-100-T03	HEB 100	1
Screw connections	MP-FLEX-100-X01-0020	M12	4
Endcaps	MP-FLEX-100-A01	PA6	2
Building connection	Steel beam width 70-180 mm	Beam clamps M16	4

**MP-FLEX-100****A 44**

Quantity

Bracket	MP-FLEX-100-K12	QRO 100x8	1
Girder	MP-FLEX-100-T03	HEB 100	1
Screw connections	MP-FLEX-100-X01-0020	M12	4
Endcaps	MP-FLEX-100-A01	PA6	2
Building connection	Steel beam width 180-300 mm	Beam clamps M16	4

**MP-FLEX-100****A 45**

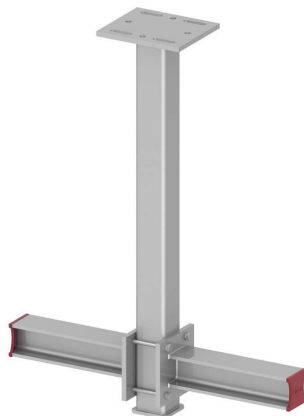
Quantity

Bracket	MP-FLEX-100-K01	QRO 100x8	1
Brackets	MP-FLEX-100-K17	HEB 100	2
Screw connections	MP-FLEX-100-X01-0130	M12	4
Endcaps	MP-FLEX-100-A01	PA6	2
Building connection	Concrete	Anchor M16	4

**MP-FLEX-100****A 46**

Quantity

Bracket	MP-FLEX-100-K02	QRO 100x8	1
Brackets	MP-FLEX-100-K17	HEB 100	2
Screw connections	MP-FLEX-100-X01-0130	M12	4
Endcaps	MP-FLEX-100-A01	PA6	2
Building connection	Concrete	Anchor M20	4

**MP-FLEX-100****A 47**

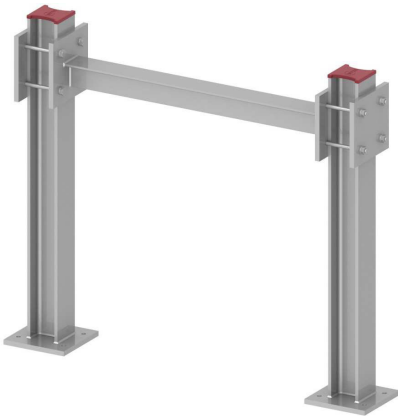
Quantity

Bracket	MP-FLEX-100-K09	QRO 100x8	1
Brackets	MP-FLEX-100-K17	HEB 100	2
Screw connections	MP-FLEX-100-X01-0130	M12	4
Endcaps	MP-FLEX-100-A01	PA6	2
Building connection	Steel beam width 70-180 mm	Beam clamps M16	4

**MP-FLEX-100****A 48**

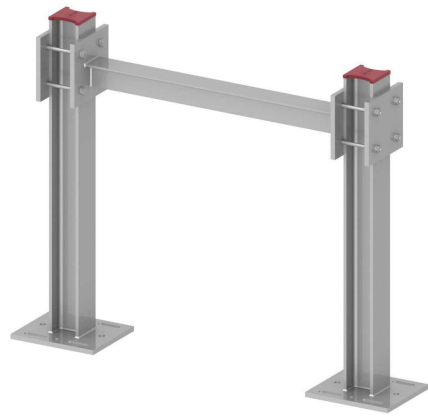
Quantity

Bracket	MP-FLEX-100-K10	QRO 100x8	1
Brackets	MP-FLEX-100-K17	HEB 100	2
Screw connections	MP-FLEX-100-X01-0130	M12	4
Endcaps	MP-FLEX-100-A01	PA6	2
Building connection	Steel beam width 180-300 mm	Beam clamps M16	4

**MP-FLEX-100****Application Examples****MP-FLEX-100****A 49**

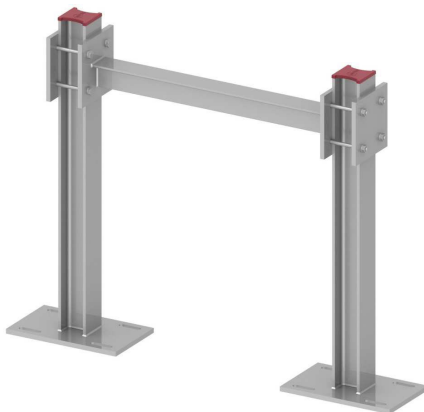
Quantity

Brackets	MP-FLEX-100-K17	HEB 100	2
Girder	MP-FLEX-100-T14 + 2 x P14	T 80	1
Screw connections	MP-FLEX-100-X01-0130	M12	8
Endcaps	MP-FLEX-100-A01	PA6	2
Building connections	Concrete	Anchor M12	8

**MP-FLEX-100****A 50**

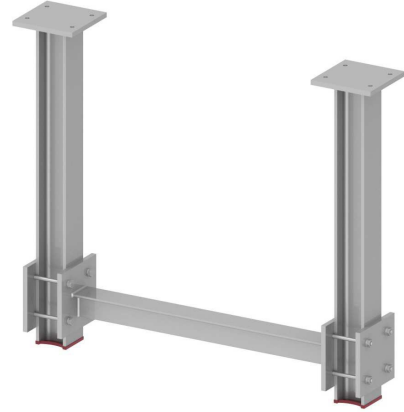
Quantity

Brackets	MP-FLEX-100-K20	HEB 100	2
Girder	MP-FLEX-100-T14 + 2 x P14	T 80	1
Screw connections	MP-FLEX-100-X01-0130	M12	8
Endcaps	MP-FLEX-100-A01	PA6	2
Building connections	Steel beam width 70-180 mm	Beam clamps M16	8

**MP-FLEX-100****A 51**

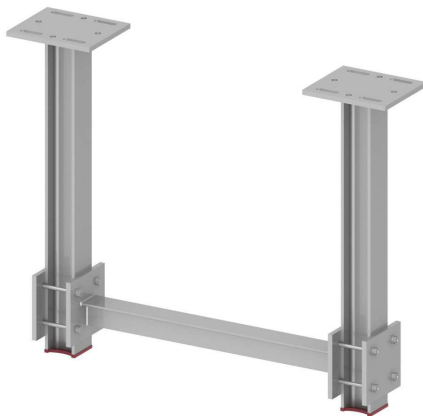
Quantity

Brackets	MP-FLEX-100-K21	HEB 100	2
Girder	MP-FLEX-100-T14 + 2 x P14	T 80	1
Screw connections	MP-FLEX-100-X01-0130	M12	8
Endcaps	MP-FLEX-100-A01	PA6	2
Building connections	Steel beam width 180-300 mm	Beam clamps M16	8

**MP-FLEX-100****A 52**

Quantity

Brackets	MP-FLEX-100-K17	HEB 100	2
Girder	MP-FLEX-100-T14 + 2 x P14	T 80	1
Screw connections	MP-FLEX-100-X01-0130	M12	8
Endcaps	MP-FLEX-100-A01	PA6	2
Building connections	Concrete	Anchor M12	8

**MP-FLEX-100****A 53**

Quantity

Brackets	MP-FLEX-100-K20	HEB 100	2
Girder	MP-FLEX-100-T14 + 2 x P14	T 80	1
Screw connections	MP-FLEX-100-X01-0130	M12	8
Endcaps	MP-FLEX-100-A01	PA6	2
Building connections	Steel beam width 70-180 mm	Beam clamps M16	8

**MP-FLEX-100****A 54**

Quantity

Brackets	MP-FLEX-100-K21	HEB 100	2
Girder	MP-FLEX-100-T14 + 2 x P14	T 80	1
Screw connections	MP-FLEX-100-X01-0130	M12	8
Endcaps	MP-FLEX-100-A01	PA6	2
Building connections	Steel beam width 180-300 mm	Beam clamps M16	8

**MP-FLEX-100****Application Examples****MP-FLEX-100****A 55**

Quantity

Bracket	MP-FLEX-100-K17	HEB 100	1
Bracket	MP-FLEX-100-K22 + P14	T 80	1
Screw connections	MP-FLEX-100-X01-0130	M12	4
Endcap	MP-FLEX-100-A01	PA6	1
Building connection	Concrete	Anchor M12	4

**MP-FLEX-100****A 56**

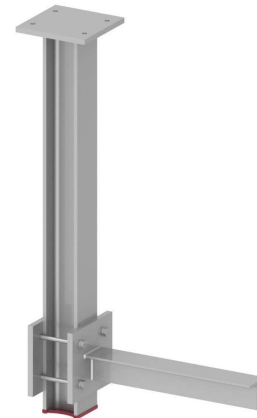
Quantity

Bracket	MP-FLEX-100-K20	HEB 100	1
Bracket	MP-FLEX-100-K22 + P14	T 80	1
Screw connections	MP-FLEX-100-X01-0130	M12	4
Endcap	MP-FLEX-100-A01	PA6	1
Building connection	Steel beam width 70-180 mm	Beam clamps M16	4

**MP-FLEX-100****A 57**

Quantity

Bracket	MP-FLEX-100-K21	HEB 100	1
Bracket	MP-FLEX-100-K22 + P14	T 80	1
Screw connections	MP-FLEX-100-X01-0130	M12	4
Endcap	MP-FLEX-100-A01	PA6	1
Building connection	Steel beam width 180-300 mm	Beam clamps M16	4

**MP-FLEX-100****A 58**

Quantity

Bracket	MP-FLEX-100-K17	HEB 100	1
Bracket	MP-FLEX-100-K22 + P14	T 80	1
Screw connections	MP-FLEX-100-X01-0130	M12	4
Endcap	MP-FLEX-100-A01	PA6	1
Building connection	Concrete	Anchor M12	4

**MP-FLEX-100****A 59**

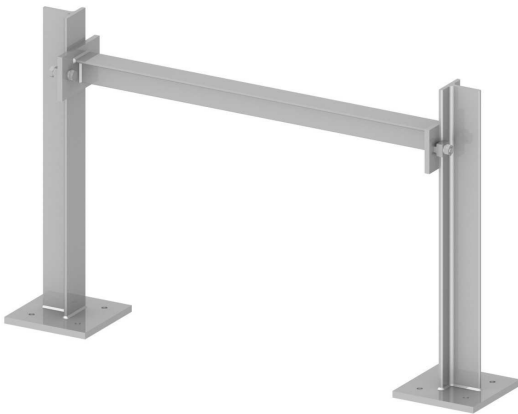
Quantity

Bracket	MP-FLEX-100-K20	HEB 100	1
Bracket	MP-FLEX-100-K22 + P14	T 80	1
Screw connections	MP-FLEX-100-X01-0130	M12	4
Endcap	MP-FLEX-100-A01	PA6	1
Building connection	Steel beam width 70-180 mm	Beam clamps M16	4

**MP-FLEX-100****A 60**

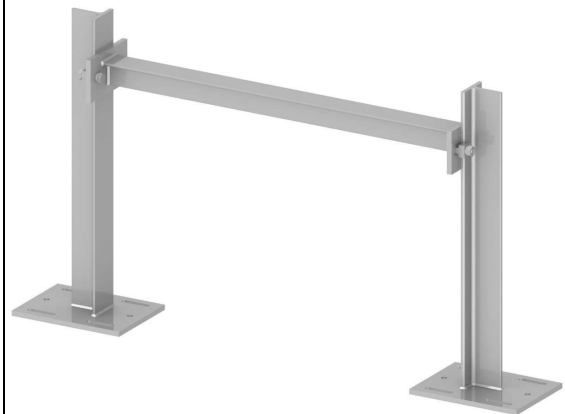
Quantity

Bracket	MP-FLEX-100-K21	HEB 100	1
Bracket	MP-FLEX-100-K22 + P14	T 80	1
Screw connections	MP-FLEX-100-X01-0130	M12	4
Endcap	MP-FLEX-100-A01	PA6	1
Building connection	Steel beam width 180-300 mm	Beam clamps M16	4

**MP-FLEX-100****Application Examples****MP-FLEX-100****A 61**

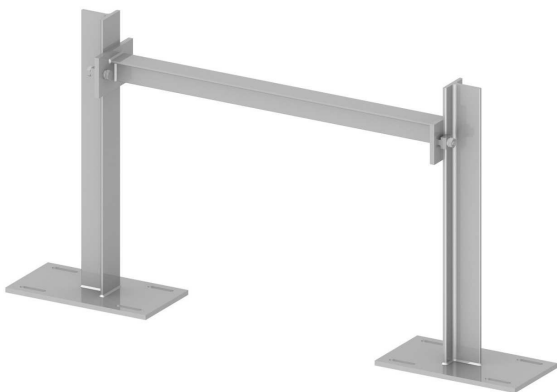
Quantity

Brackets	MP-FLEX-100-K22	T 80	2
Girder	MP-FLEX-100-T15	T 60	1
Screw connections	MP-FLEX-100-X03-0009	M12	4
Building connections	Concrete	Anchor M12	8

**MP-FLEX-100****A 62**

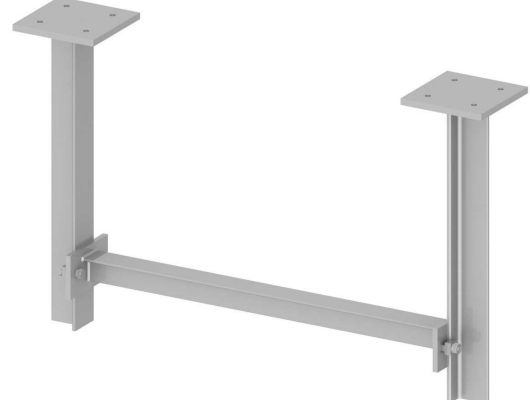
Quantity

Brackets	MP-FLEX-100-K25	T 80	2
Girder	MP-FLEX-100-T15	T 60	1
Screw connections	MP-FLEX-100-X03-0009	M12	4
Building connections	Steel beam width 80-190 mm	Beam clamps M12	8

**MP-FLEX-100****A 63**

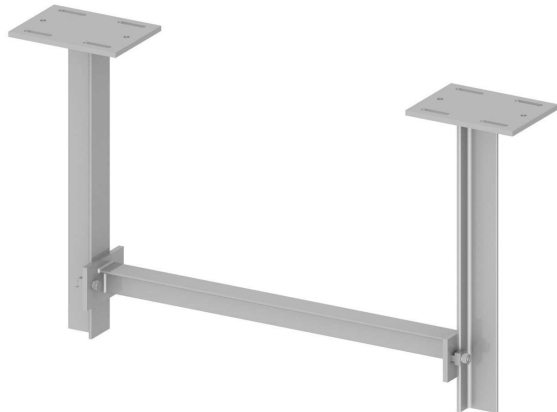
Quantity

Brackets	MP-FLEX-100-K26	T 80	2
Girder	MP-FLEX-100-T15	T 60	1
Screw connections	MP-FLEX-100-X03-0009	M12	4
Building connections	Steel beam width 190-300 mm	Beam clamps M12	8

**MP-FLEX-100****A 64**

Quantity

Brackets	MP-FLEX-100-K22	T 80	2
Girder	MP-FLEX-100-T15	T 60	1
Screw connections	MP-FLEX-100-X03-0009	M12	4
Building connections	Concrete	Anchor M12	8

**MP-FLEX-100****A 65**

Quantity

Brackets	MP-FLEX-100-K25	T 80	2
Girder	MP-FLEX-100-T15	T 60	1
Screw connections	MP-FLEX-100-X03-0009	M12	4
Building connections	Steel beam width 80-190 mm	Beam clamps M12	8

**MP-FLEX-100****A 66**

Quantity

Brackets	MP-FLEX-100-K26	T 80	2
Girder	MP-FLEX-100-T15	T 60	1
Screw connections	MP-FLEX-100-X03-0009	M12	4
Building connections	Steel beam width 190-300 mm	Beam clamps M12	8

**MP-FLEX-100****Application Examples****MP-FLEX-100****A 67**

Quantity

Bracket	MP-FLEX-100-K22	T 80	1
Bracket	MP-FLEX-100-K27	T 60	1
Screw connections	MP-FLEX-100-X03-0009	M12	2
Building connection	Concrete	Anchor M12	4

**MP-FLEX-100****A 68**

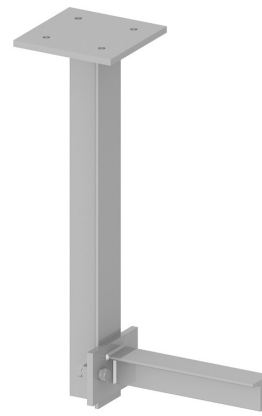
Quantity

Bracket	MP-FLEX-100-K23	T 80	1
Bracket	MP-FLEX-100-K27	T 60	1
Screw connections	MP-FLEX-100-X03-0009	M12	2
Building connection	Steel beam width 80-190 mm	Beam clamps M12	4

**MP-FLEX-100****A 69**

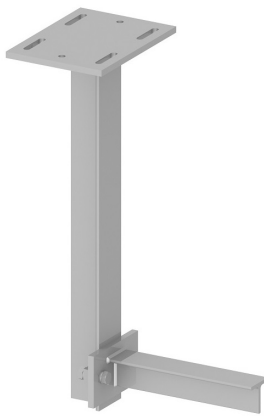
Quantity

Bracket	MP-FLEX-100-K24	T 80	1
Bracket	MP-FLEX-100-K27	T 60	1
Screw connections	MP-FLEX-100-X03-0009	M12	2
Building connection	Steel beam width 190-300 mm	Beam clamps M12	4

**MP-FLEX-100****A 70**

Quantity

Bracket	MP-FLEX-100-K22	T 80	1
Bracket	MP-FLEX-100-K27	T 60	1
Screw connections	MP-FLEX-100-X03-0009	M12	2
Building connection	Concrete	Anchor M12	4

**MP-FLEX-100****A 71**

Quantity

Bracket	MP-FLEX-100-K23	T 80	1
Bracket	MP-FLEX-100-K27	T 60	1
Screw connections	MP-FLEX-100-X03-0009	M12	2
Building connection	Steel beam width 80-190 mm	Beam clamps M12	4

**MP-FLEX-100****A 72**

Quantity

Bracket	MP-FLEX-100-K24	T 80	1
Bracket	MP-FLEX-100-K27	T 60	1
Screw connections	MP-FLEX-100-X03-0009	M12	2
Building connection	Steel beam width 190-300 mm	Beam clamps M12	4

**MP-FLEX-100****Application Examples****MP-FLEX-100****A 73**

Quantity

Brackets	MP-FLEX-100-K27	T 60	2
Girder	MP-FLEX-100-T16	T 60	1
Screw connections	MP-FLEX-100-X03-0007	M12	4
Building connections	Concrete	Anchor M12	4

**MP-FLEX-100****A 74**

Quantity

Brackets	MP-FLEX-100-K28	T 60	2
Girder	MP-FLEX-100-T16	T 60	1
Screw connections	MP-FLEX-100-X03-0007	M12	4
Building connections	Steel beam width 80-190 mm	Beam clamps M12	4

**MP-FLEX-100****A 75**

Quantity

Brackets	MP-FLEX-100-K29	T 60	2
Girder	MP-FLEX-100-T16	T 60	1
Screw connections	MP-FLEX-100-X03-0007	M12	4
Building connections	Steel beam width 190-300 mm	Beam clamps M12	4

**MP-FLEX-100****A 76**

Quantity

Brackets	MP-FLEX-100-K27	T 60	2
Girder	MP-FLEX-100-T16	T 60	1
Screw connections	MP-FLEX-100-X03-0007	M12	4
Building connections	Concrete	Anchor M12	4

**MP-FLEX-100****A 77**

Quantity

Brackets	MP-FLEX-100-K28	T 60	2
Girder	MP-FLEX-100-T16	T 60	1
Screw connections	MP-FLEX-100-X03-0007	M12	4
Building connections	Steel beam width 80-190 mm	Beam clamps M12	4

**MP-FLEX-100****A 78**

Quantity

Brackets	MP-FLEX-100-K29	T 60	2
Girder	MP-FLEX-100-T16	T 60	1
Screw connections	MP-FLEX-100-X03-0007	M12	4
Building connections	Steel beam width 190-300 mm	Beam clamps M12	4

**MP-FLEX-100****Application Examples****MP-FLEX-100****A 79**

Quantity

Bracket	MP-FLEX-100-K27	T 60	1
Bracket	MP-FLEX-100-K32	T 60	1
Screw connections	MP-FLEX-100-X03-0007	M12	2
Building connection	Concrete	Anchor M12	2

**MP-FLEX-100****A 80**

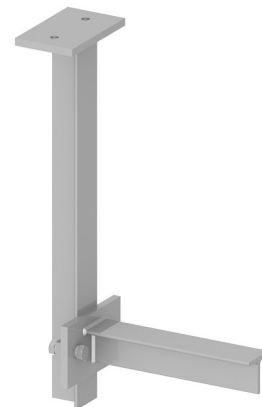
Quantity

Bracket	MP-FLEX-100-K28	T 60	1
Bracket	MP-FLEX-100-K32	T 60	1
Screw connections	MP-FLEX-100-X03-0007	M12	2
Building connection	Steel beam width 80-190 mm	Beam clamps M12	2

**MP-FLEX-100****A 81**

Quantity

Bracket	MP-FLEX-100-K29	T 60	1
Bracket	MP-FLEX-100-K32	T 60	1
Screw connections	MP-FLEX-100-X03-0007	M12	2
Building connection	Steel beam width 190-300 mm	Beam clamps M12	2

**MP-FLEX-100****A 82**

Quantity

Bracket	MP-FLEX-100-K27	T 60	1
Bracket	MP-FLEX-100-K32	T 60	1
Screw connections	MP-FLEX-100-X03-0007	M12	2
Building connection	Concrete	Anchor M12	2

**MP-FLEX-100****A 83**

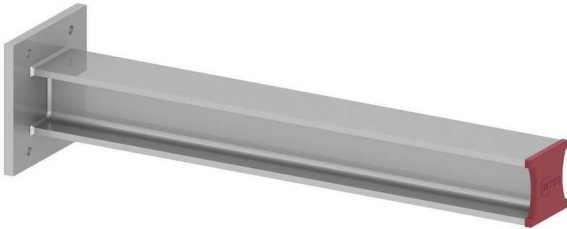
Quantity

Bracket	MP-FLEX-100-K28	T 60	1
Bracket	MP-FLEX-100-K32	T 60	1
Screw connections	MP-FLEX-100-X03-0007	M12	2
Building connection	Steel beam width 80-190 mm	Beam clamps M12	2

**MP-FLEX-100****A 84**

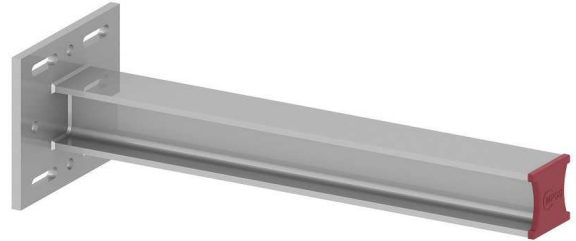
Quantity

Bracket	MP-FLEX-100-K29	T 60	1
Bracket	MP-FLEX-100-K32	T 60	1
Screw connections	MP-FLEX-100-X03-0007	M12	2
Building connection	Steel beam width 190-300 mm	Beam clamps M12	2

**MP-FLEX-100****Application Examples****MP-FLEX-100****A 85**

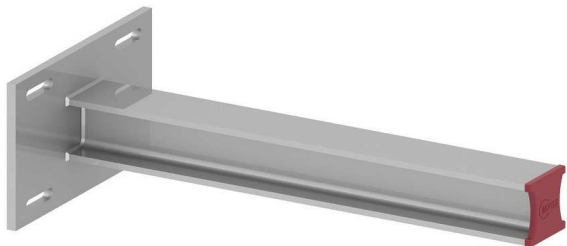
Quantity

Bracket	MP-FLEX-100-K17	HEB 100	1
Endcap	MP-FLEX-100-A01	PA6	1
Building connection	Concrete	Anchor M12	4

**MP-FLEX-100****A 86**

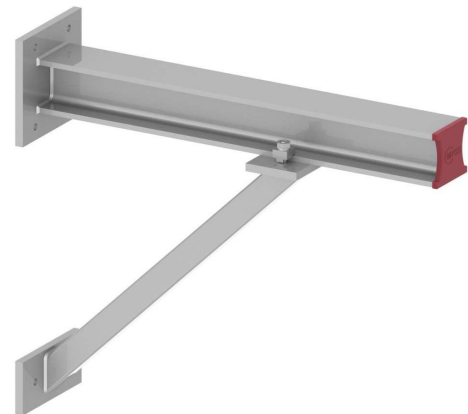
Quantity

Bracket	MP-FLEX-100-K18	HEB 100	1
Endcap	MP-FLEX-100-A01	PA6	1
Building connection	Steel beam width 70-180 mm	Beam clamps M16	4

**MP-FLEX-100****A 87**

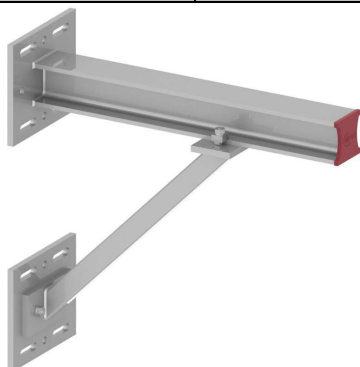
Quantity

Bracket	MP-FLEX-100-K19	HEB 100	1
Endcap	MP-FLEX-100-A01	PA6	1
Building connection	Steel beam width 180-300 mm	Beam clamps M16	4

**MP-FLEX-100****A 88**

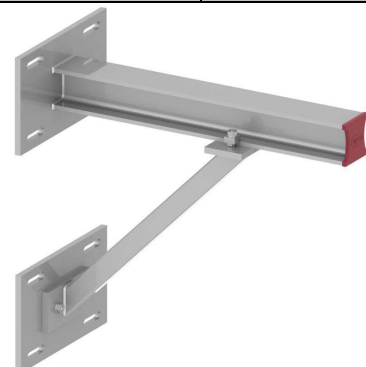
Quantity

Bracket	MP-FLEX-100-K17	HEB 100	1
Strut	MP-FLEX-100-S01	QRO 50x5	1
Screw connections	MP-FLEX-100-X03-0010	M12	2
Endcap	MP-FLEX-100-A01	PA6	1
Building connections	Concrete	Anchor M12	6

**MP-FLEX-100****A 89**

Quantity

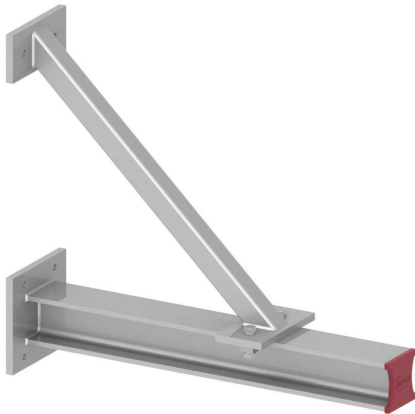
Bracket	MP-FLEX-100-K18	HEB 100	1
Strut	MP-FLEX-100-S01	QRO 50x5	1
Plate	MP-FLEX-100-P33	t = 15 mm	1
Screw connections	MP-FLEX-100-X02-0030	M12	2
Screw connections	MP-FLEX-100-X03-0010	M12	2
Endcap	MP-FLEX-100-A01	PA6	1
Building connections	Steel beam width 70-180 mm	Beam clamps M16	8

**MP-FLEX-100****A 90**

Quantity

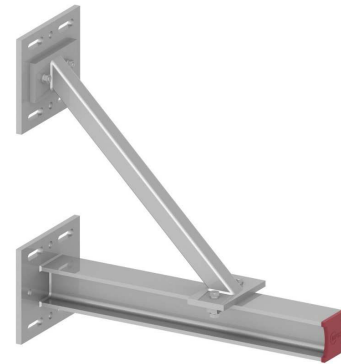
Bracket	MP-FLEX-100-K19	HEB 100	1
Strut	MP-FLEX-100-S01	QRO 50x5	1
Plate	MP-FLEX-100-P34	t = 15 mm	1
Screw connections	MP-FLEX-100-X02-0030	M12	2
Screw connections	MP-FLEX-100-X03-0010	M12	2
Endcap	MP-FLEX-100-A01	PA6	1
Building connections	Steel beam width 180-300 mm	Beam clamps M16	8



**MP-FLEX-100****Application Examples****MP-FLEX-100****A 91**

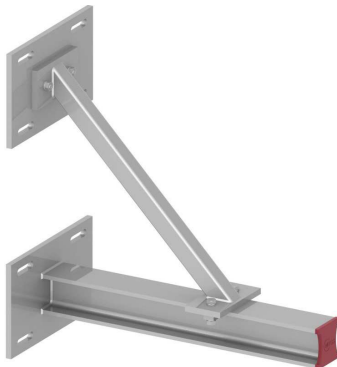
Quantity

Bracket	MP-FLEX-100-K17	HEB 100	1
Strut	MP-FLEX-100-S01	QRO 50x5	1
Screw connections	MP-FLEX-100-X03-0010	M12	2
Endcap	MP-FLEX-100-A01	PA6	1
Building connections	Concrete	Anchor M12	6

**MP-FLEX-100****A 92**

Quantity

Bracket	MP-FLEX-100-K18	HEB 100	1
Strut	MP-FLEX-100-S01	QRO 50x5	1
Plate	MP-FLEX-100-P33	t = 15 mm	1
Screw connections	MP-FLEX-100-X02-0030	M12	2
Screw connections	MP-FLEX-100-X03-0010	M12	2
Endcap	MP-FLEX-100-A01	PA6	1
Building connections	Steel beam width 70-180 mm	Beam clamps M16	8

**MP-FLEX-100****A 93**

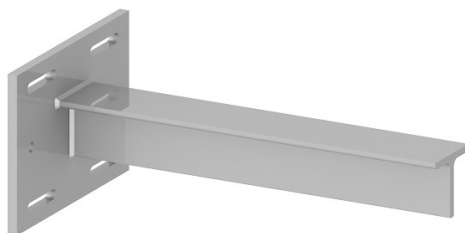
Quantity

Bracket	MP-FLEX-100-K19	HEB 100	1
Strut	MP-FLEX-100-S01	QRO 50x5	1
Plate	MP-FLEX-100-P34	t = 15 mm	1
Screw connections	MP-FLEX-100-X02-0030	M12	2
Screw connections	MP-FLEX-100-X03-0010	M12	2
Endcap	MP-FLEX-100-A01	PA6	1
Building connections	Steel beam width 180-300 mm	Beam clamps M16	8

**MP-FLEX-100****A 94**

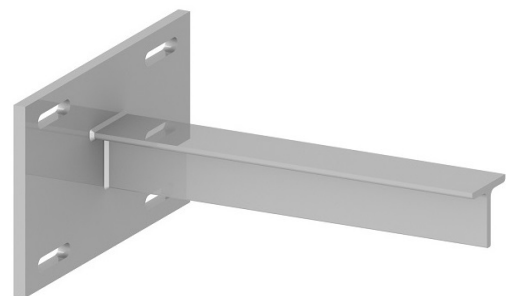
Quantity

Bracket	MP-FLEX-100-K22	T 80	1
Building connection	Concrete	Anchor M12	4

**MP-FLEX-100****A 95**

Quantity

Bracket	MP-FLEX-100-K23	T 80	1
Building connection	Steel beam width 80-190 mm	Beam clamps M12	4

**MP-FLEX-100****A 96**

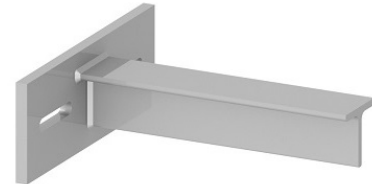
Quantity

Bracket	MP-FLEX-100-K24	T 80	1
Building connection	Steel beam width 190-300 mm	Beam clamps M12	4

**MP-FLEX-100****Application Examples****MP-FLEX-100****A 97**

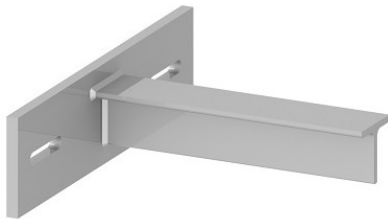
Quantity

Bracket	MP-FLEX-100-K27	T 60	1
Building connection	Concrete	Anchor M12	2

**MP-FLEX-100****A 98**

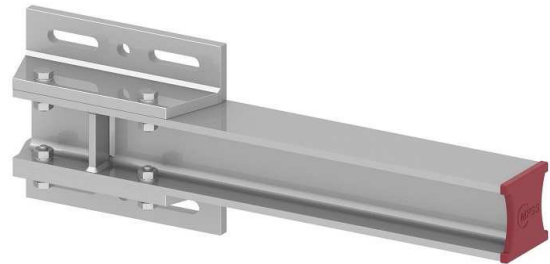
Quantity

Bracket	MP-FLEX-100-K28	T 60	1
Building connection	Steel beam width 80-190 mm	Beam clamps M12	2

**MP-FLEX-100****A 99**

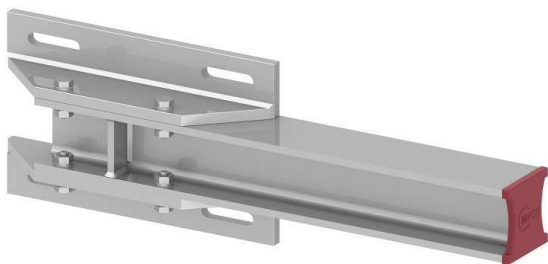
Quantity

Bracket	MP-FLEX-100-K29	T 60	1
Building connection	Steel beam width 190-300 mm	Beam clamps M12	2

**MP-FLEX-100****A 100**

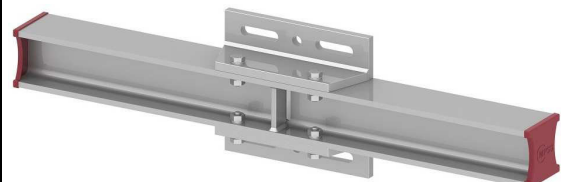
Quantity

Girder	MP-FLEX-100-T05	HEB 100	1
Connectors	MP-FLEX-100-V07	t = 15 mm	2
Screw connections	MP-FLEX-100-X01-0025	M12	4
Endcap	MP-FLEX-100-A01	PA6	1
Building connection	Steel beam width 70-180 mm	Beam clamps M16	4

**MP-FLEX-100****A 101**

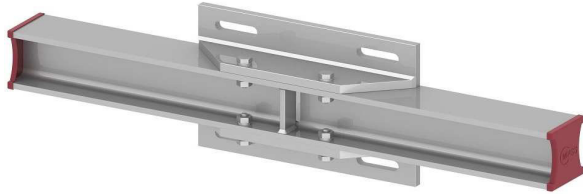
Quantity

Girder	MP-FLEX-100-T05	HEB 100	1
Connectors	MP-FLEX-100-V08	t = 15 mm	2
Screw connections	MP-FLEX-100-X01-0025	M12	4
Endcap	MP-FLEX-100-A01	PA6	1
Building connection	Steel beam width 180-300 mm	Beam clamps M16	4

**MP-FLEX-100****A 102**

Quantity

Girder	MP-FLEX-100-T06	HEB 100	1
Connectors	MP-FLEX-100-V07	t = 15 mm	2
Screw connections	MP-FLEX-100-X01-0025	M12	4
Endcaps	MP-FLEX-100-A01	PA6	2
Building connection	Steel beam width 70-180 mm	Beam clamps M16	4

**MP-FLEX-100****Application Examples****MP-FLEX-100****A 103**

Quantity

Girder	MP-FLEX-100-T06	HEB 100	1
Connectors	MP-FLEX-100-V08	t = 15 mm	2
Screw connections	MP-FLEX-100-X01-0025	M12	4
Endcaps	MP-FLEX-100-A01	PA6	2
Building connection	Steel beam width 180-300 mm	Beam clamps M16	4

**MP-FLEX-100****A 104**

Quantity

Girder	MP-FLEX-100-T01	HEB 100	1
Platte	MP-FLEX-100-P08	t = 15 mm	2
Plates	MP-FLEX-100-X02-0025	M12	8
Building connections	Steel beam width 70-180 mm	Beam clamps M16	8

**MP-FLEX-100****A 105**

Quantity

Girder	MP-FLEX-100-T01	HEB 100	1
Platte	MP-FLEX-100-P09	t = 15 mm	2
Plates	MP-FLEX-100-X02-0025	M12	8
Building connections	Steel beam width 180-300 mm	Beam clamps M16	8

**MP-FLEX-100****A 106**

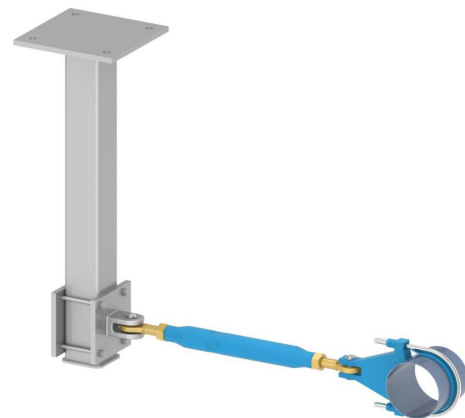
Quantity

Girder	MP-FLEX-100-T02	HEB 100	1
Plate	MP-FLEX-100-P08	t = 15 mm	1
Screw connections	MP-FLEX-100-X02-0025	M12	4
Endcap	MP-FLEX-100-A01	PA6	1
Building connection	Steel beam width 70-180 mm	Beam clamps M16	4

**MP-FLEX-100****A 107**

Quantity

Girder	MP-FLEX-100-T02	HEB 100	1
Plate	MP-FLEX-100-P09	t = 15 mm	1
Screw connections	MP-FLEX-100-X02-0025	M12	4
Endcap	MP-FLEX-100-A01	PA6	1
Building connection	Steel beam width 180-300 mm	Beam clamps M16	4

**MP-FLEX-100****A 108**

Quantity

Bracket	MP-FLEX-100-K01	QRO 100x8	1
Plates	MP-FLEX-100-P03		2
Screw connections	MP-FLEX-100-X01-0130	M12	4
Building connection	Concrete	Anchor M16	4

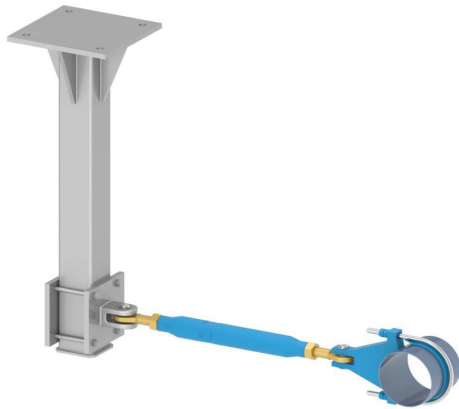
# MP-FLEX-100

## Application Examples



### MP-FLEX-100

### A 109

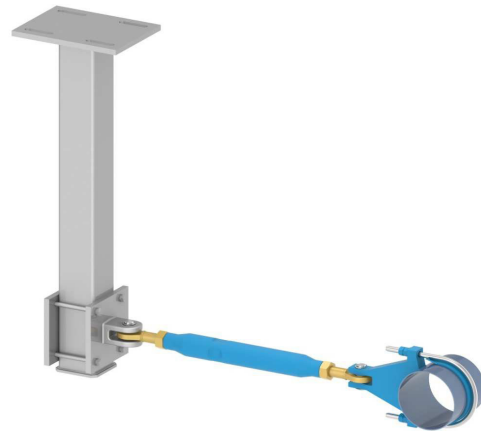


Quantity

Bracket	MP-FLEX-100-K02	QRO 100x8	1
Plates	MP-FLEX-100-P03		2
Screw connections	MP-FLEX-100-X01-0130	M12	4
Building connection	Concrete	Anchor M20	4

### MP-FLEX-100

### A 110

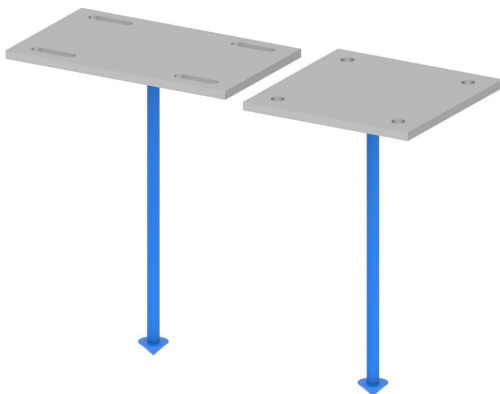


Quantity

Konsole	MP-FLEX-100-K09/K10	QRO 100x8	1
Platte	MP-FLEX-100-P03		2
Verschraubung	MP-FLEX-100-X01-0130	M12	4
Building connection	Steel beam width 70-300 mm	Beam clamps M16	4

### MP-FLEX-100

### A 111

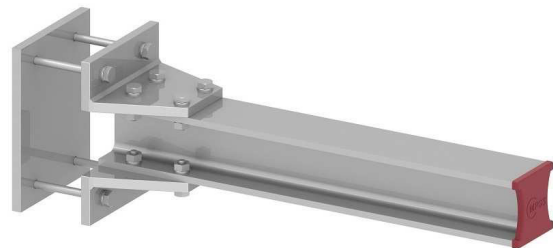


Quantity

Plate	MP-FLEX-100-P01	Anchor M16	4
Plate	MP-FLEX-100-P02	Anchor M20	4
Plate	MP-FLEX-100-P03	Anchor M12	4
Plate	MP-FLEX-100-P06/P07	Beam clamps M16	4

### MP-FLEX-100

### A 112

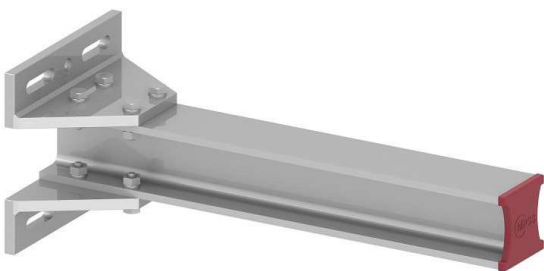


Quantity

Girder	MP-FLEX-100-T17	HEB 100	1
Connectors	MP-FLEX-100-V04	t = 15 mm	2
Plate	MP-FLEX-100-P12	t = 15 mm	1
Screw connections	MP-FLEX-100-X01-0025	M12	8
Endcap	MP-FLEX-100-A01	PA6	1
Connection	MP-FLEX-100-X01-0130	M12	4

### MP-FLEX-100

### A 113

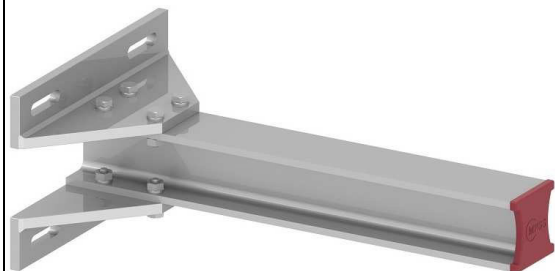


Quantity

Girder	MP-FLEX-100-T17	HEB 100	1
Connectors	MP-FLEX-100-V05	t = 15 mm	2
Screw connections	MP-FLEX-100-X01-0025	M12	8
Endcap	MP-FLEX-100-A01	PA6	1
Building connection	Steel beam width 70-180 mm	Beam clamps M16	4

### MP-FLEX-100

### A 114



Quantity

Girder	MP-FLEX-100-T17	HEB 100	1
Connectors	MP-FLEX-100-V06	t = 15 mm	2
Screw connections	MP-FLEX-100-X01-0025	M12	8
Endcap	MP-FLEX-100-A01	PA6	1
Building connection	Steel beam width 180-300 mm	Beam clamps M16	4

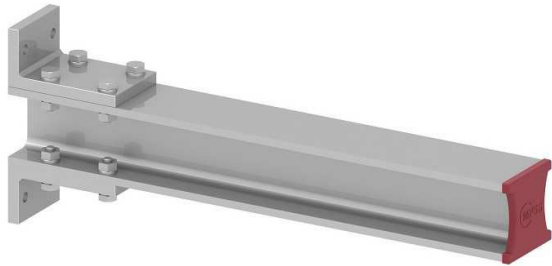
**MP-FLEX-100**

**Application  
Examples**



**MP-FLEX-100**

**A 115**



Quantity

Girder	MP-FLEX-100-T17	HEB 100	1
Connectors	MP-FLEX-100-V10	t = 15 mm	2
Screw connections	MP-FLEX-100-X01-0025	M12	8
Endcap	MP-FLEX-100-A01	PA6	1
Connection	MP-FLEX-100-X01-0025	M12	4

**MP-FLEX-100**

**Application  
Examples**



**MP-FLEX-100**

**Application  
Examples**





[www.mpss-gmbh.com](http://www.mpss-gmbh.com)

Edition 02/2016 © MPSS GmbH

